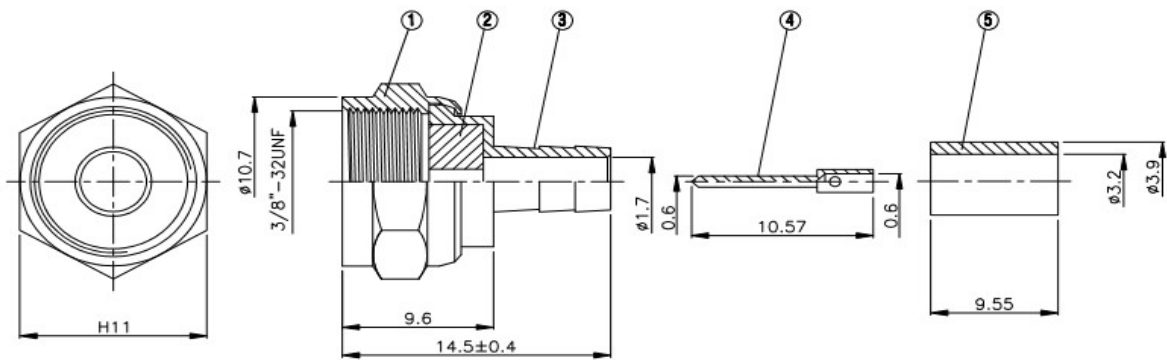


F-101

F Stecker crimp / RG174, RG316



NO	DESCRIPTION	MATERIAL	Q'TY	FINISH
1	BODY 1	BRASS	1	TIN
2	INSULATION	TEFLON	1	TEFLON
3	BODY 2	BRASS	1	NICKEL
4	PIN	BRASS	1	GOLD
5	RING	BRASS	1	NICKEL